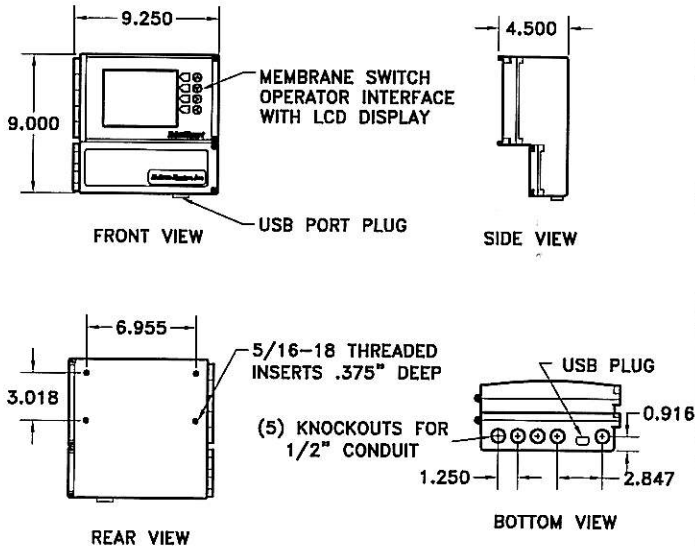
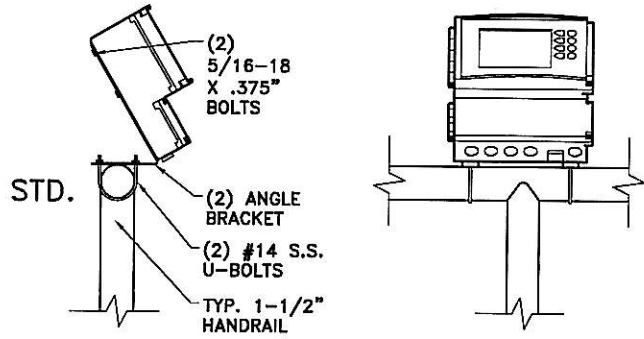


CONTROLLER MOUNTING

WALL/PANEL MOUNT

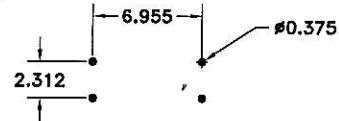


ROUND HANDRAIL MOUNT

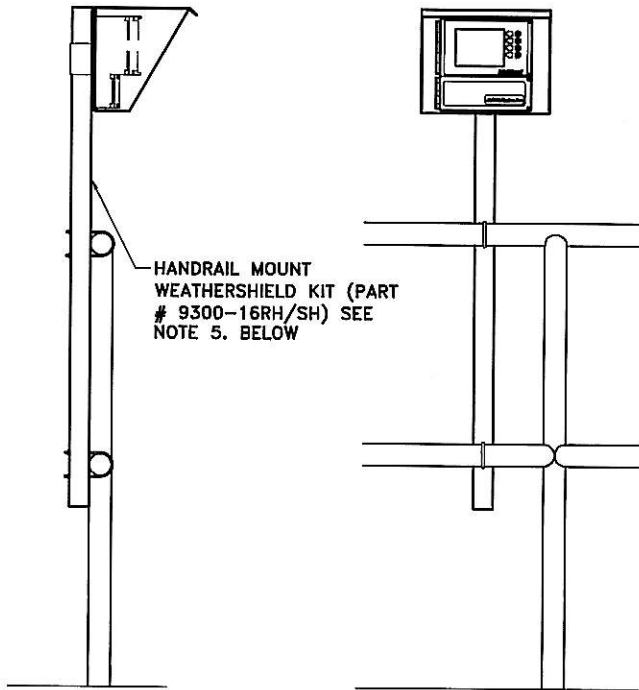


SQUARE HANDRAIL MOUNT

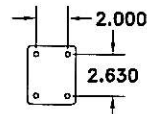
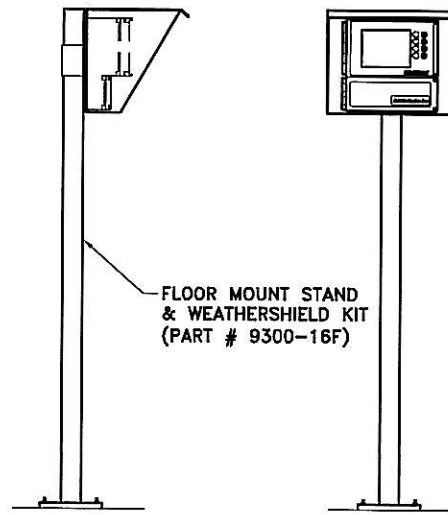
DRILL TO PATTERN TO USE ANGLE BRACKETS ON SQUARE/ANGLE TYPE HAND RAILS.



HANDRAIL MOUNT W/ WEATHERSHIELD



FLOOR MOUNT W/ WEATHERSHIELD



MOUNTING FLANGE BOLT PATTERN

CONTROLLER INSTALLATION NOTES:

1. ALLOW MINIMUM 10" CLEARANCE FROM FRONT OF CONTROLLER FOR DOOR SWING.
2. NEMA 4X MOLDED PC-ABS ENCLOSURE MOUNTED ON CONTROLLER MOUNTING PLATE OR WEATHERSHIELD.
3. APPROXIMATE CONTROLLER WEIGHT: 4.0 lbs.

THIS DRAWING IS THE PROPERTY OF
Entech Design, Inc.
AND IS LOANED UPON AGREEMENT THAT IT IS NOT TO BE
REPRODUCED OR COPIED, IN WHOLE OR IN PART, OR USED
FOR FURNISHING INFORMATION TO OTHERS OR FOR ANY
OTHER PURPOSE DETRIMENTAL TO THE INTEREST OF E.D.I.
AND WILL BE RETURNED UPON REQUEST.

	Entech Design, Inc. <small>302 S. Locust Street, Tulsa, OK 74106</small>	
	SCALE: N/A	DRAWN BY: TODD McCLENDON
	DATE: 12-10-08	
	CONTROLLER MOUNTING ARRANGEMENTS	
REVISIONS	ECHO SMART	DRAWING NO. ECS-211