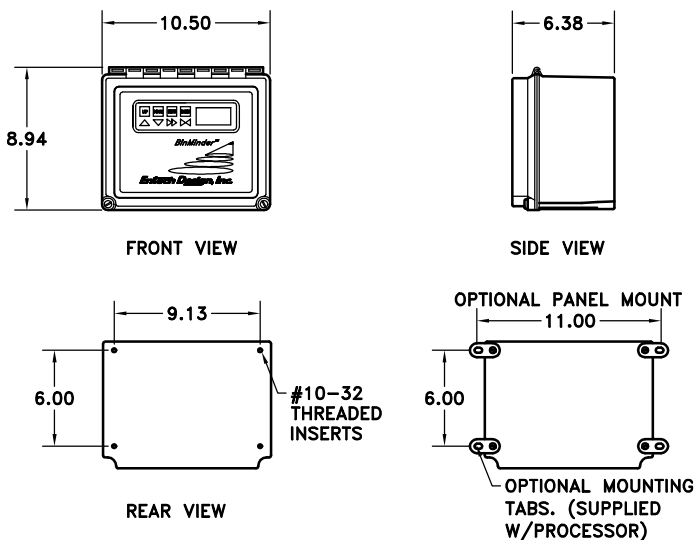
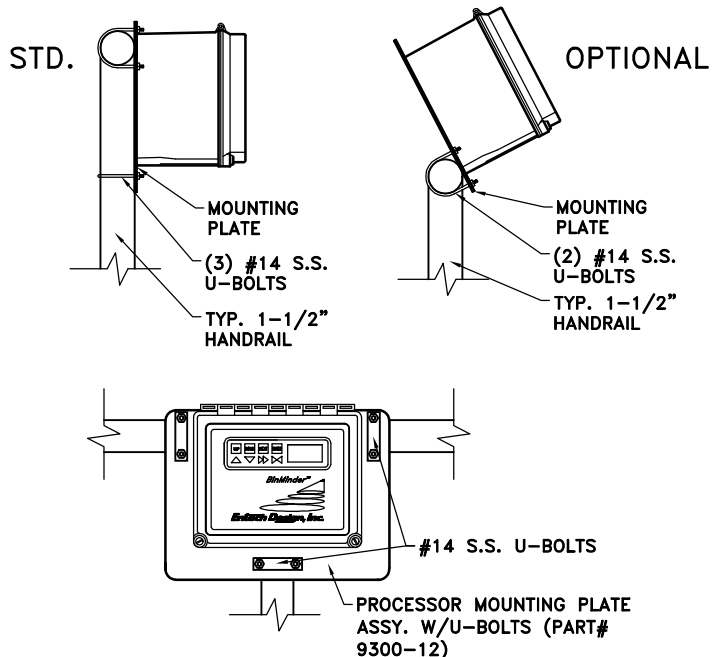


PROCESSOR MOUNTING

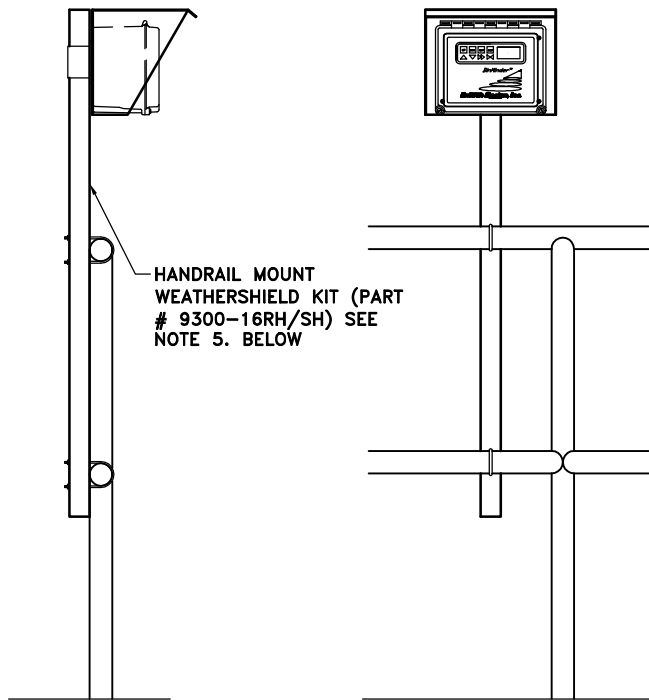
WALL/PANEL MOUNT



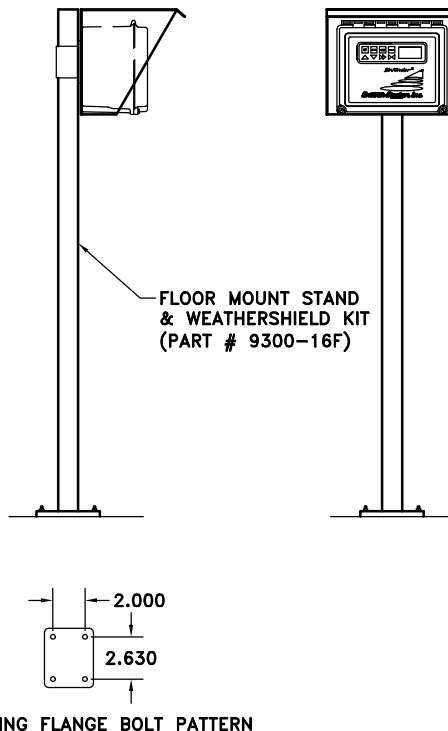
ROUND HANDRAIL MOUNT



HANDRAIL MOUNT W/ WEATHERSHIELD



FLOOR MOUNT W/ WEATHERSHIELD



PROCESSOR INSTALLATION NOTES:

1. ALLOW MINIMUM 9.5" CLEARANCE ABOVE PROCESSOR AND 7.5" FROM FRONT OF PROCESSOR FOR DOOR SWING.
2. NEMA 4X MOLDED POLYESTER FIBERGLASS ENCLOSURE MOUNTED ON PROCESSOR MOUNTING PLATE OR WEATHERSHIELD.
3. MOUNTING TABS AVAILABLE FOR WALL OR PANEL MOUNT.
4. APPROXIMATE PROCESSOR WEIGHT: 8.0 lbs.
5. FOR ROUND HANDRAIL ORDER PART #9300-16RH. FOR SQUARE HANDRAIL ORDER PART #9300-16SH.

THIS DRAWING IS THE PROPERTY OF ENTECH DESIGN, Inc. AND IS LOANED UPON CONDITION THAT IT IS NOT TO BE REPRODUCED OR COPIED, IN WHOLE OR IN PART, OR USED FOR FURNISHING INFORMATION TO OTHERS OR FOR ANY OTHER PURPOSE DETRIMENTAL TO THE INTEREST OF E.D.I. AND WILL BE RETURNED UPON REQUEST.

	Entech Design, Inc. <small>315 S. Locust Street, Denton, TX 76201</small>	
	SCALE: N/A	DRAWN BY: TODD McLENDON
	DATE: 8-28-03	
	PROCESSOR MOUNTING ARRANGEMENTS	
REVISIONS	BINMINDER 9300 EPA 2000	DRAWING NO. 9300-211