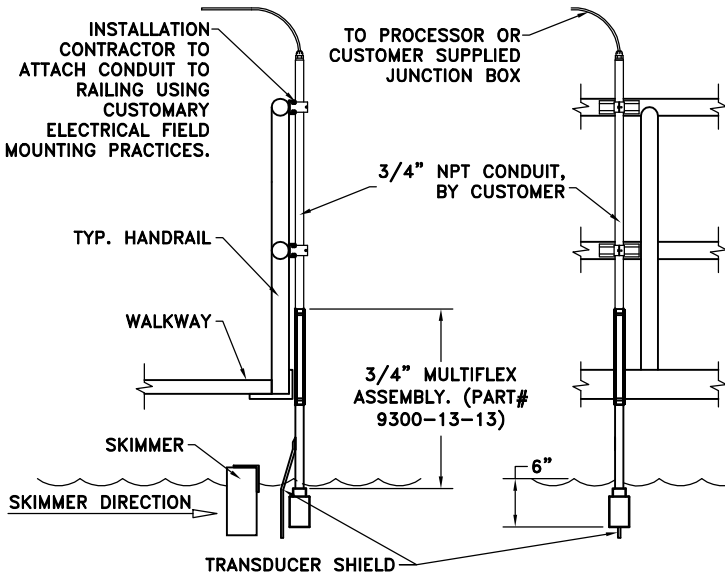
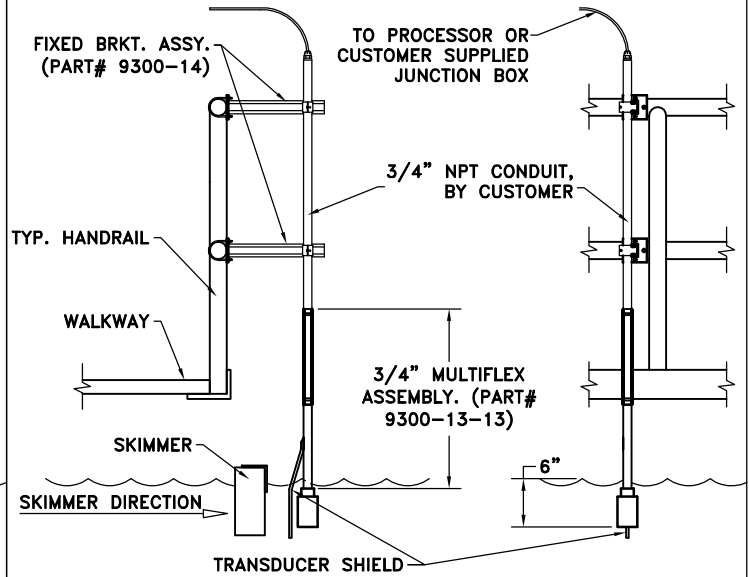


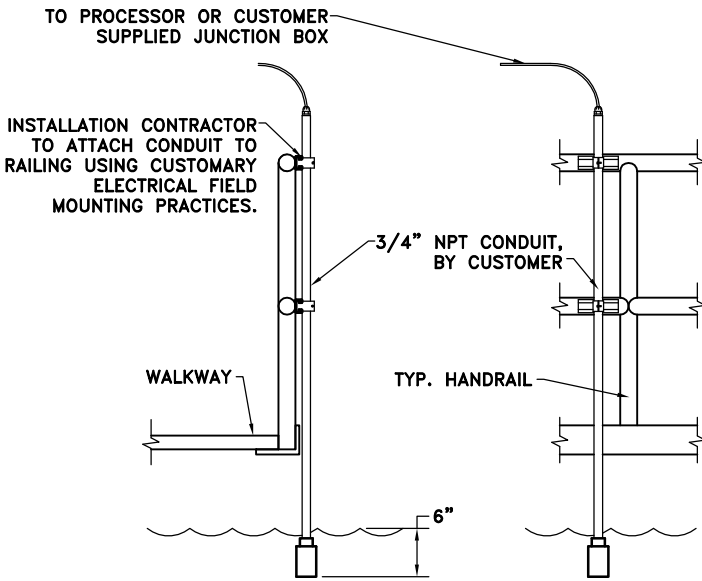
TRANSDUCER FLEX MOUNT
(FOR USE WITH SURFACE SKIMMERS)



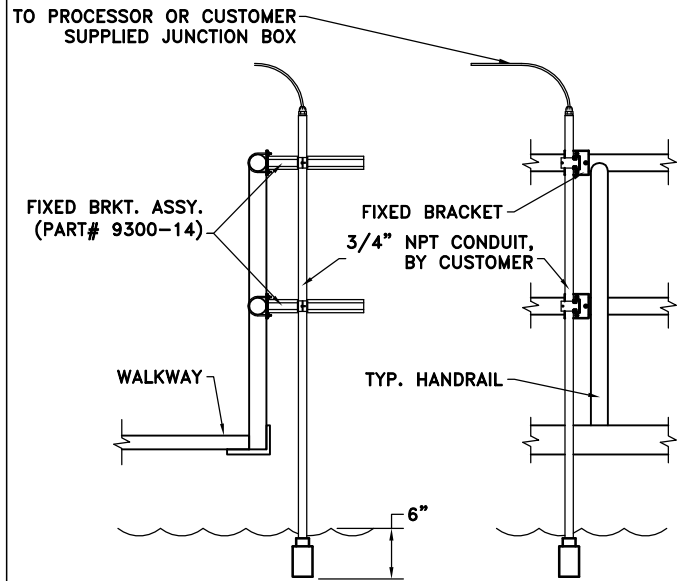
TRANSDUCER FLEX MOUNT
WITH FIXED BRACKET EXTENSIONS
(FOR USE WITH SURFACE SKIMMERS)



TRANSDUCER STATIONARY MOUNT



TRANSDUCER STATIONARY MOUNT
WITH FIXED BRACKET EXTENSIONS



TRANSDUCER INSTALLATION NOTES:

1. POSITION TRANSDUCER SHIELD SUCH THAT IT MAKES FIRST CONTACT WITH SURFACE SKIMMER. ENSURE THAT THE SKIMMER STRUCTURE DOES NOT CONTACT THE MULTIFLEX ASSEMBLY ABOVE THE TRANSDUCER SHIELD.
2. POSITION TRANSDUCER SO THAT IT IS FULLY SUBMERGED UNDER WATER (TYPICAL 6" BELOW SURFACE).
3. SEE DRAWING # 9300-14-03 FOR FIXED BRACKET HANDRAIL MOUNTING OPTIONS.
4. FOR STAINLESS STEEL FIXED BRACKETS ORDER KIT # 9300-14-01. FOR ALUMINUM FIXED BRACKETS ORDER KIT # 9300-14-02

THIS DRAWING IS THE PROPERTY OF
ENTECH DESIGN, Inc.
AND IS LOANED UPON CONDITION THAT IT IS NOT TO BE
REPRODUCED OR COPIED, IN WHOLE OR IN PART, OR USED
FOR FURNISHING INFORMATION TO OTHERS OR FOR ANY
OTHER PURPOSE DETRIMENTAL TO THE INTEREST OF E.D.I.
AND WILL BE RETURNED UPON REQUEST.

| | | | |
|-----------|--|---|--------------------------|
| | | Entech Design, Inc. <small>315 S. Locust Street, TX 76001</small> | |
| | | SCALE: N/A | DRAWN BY: TODD McCLENDON |
| | | DATE: 8-25-03 | |
| | | TRANSDUCER MOUNTING ARRANGEMENTS | |
| | | BINMINDER 9300 | DRAWING NO. 9300-210 |
| REVISIONS | | | |