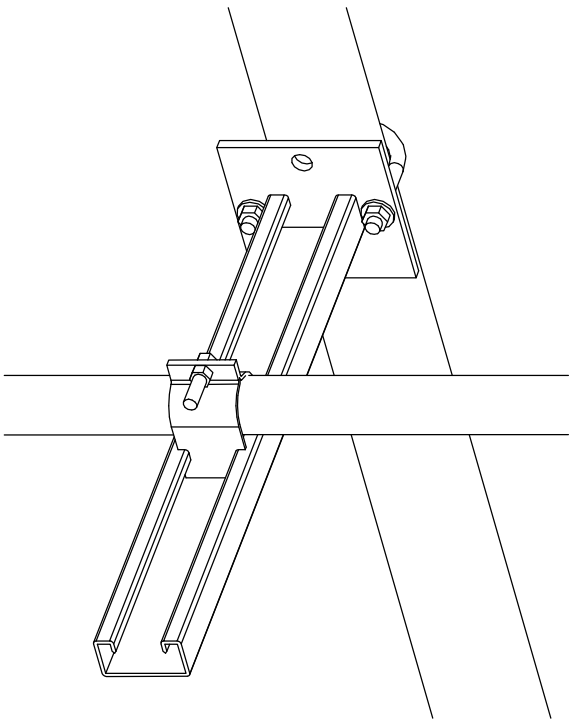
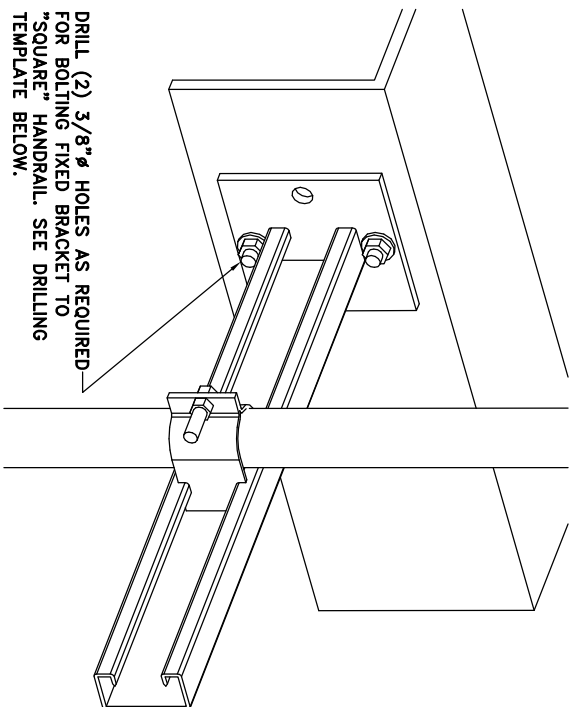


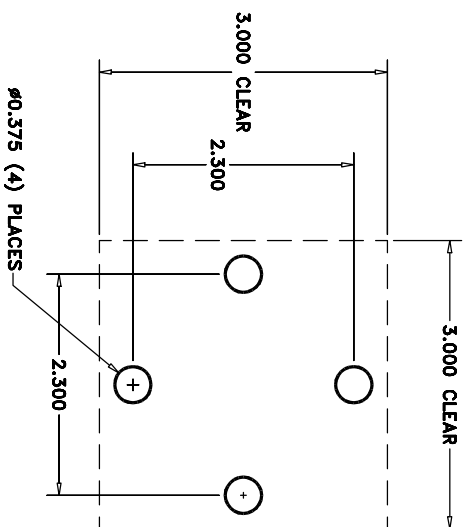
VERTICAL HANDRAIL MOUNTING
DETAIL (ROUND HANDRAIL)



HORIZONTAL HANDRAIL MOUNTING
DETAIL (ROUND HANDRAIL)



"SQUARE" HANDRAIL MOUNTING
DETAIL



DRILLING TEMPLATE FOR USE
WITH "SQUARE" HANDRAILS

THIS DRAWING IS THE PROPERTY OF
ENTECH DESIGN, Inc.
AND IS LOANED UPON AGREEMENT THAT IT IS NOT TO BE
REPRODUCED OR COPIED, IN WHOLE OR IN PART, OR USED
FOR ANY OTHER PURPOSE WITHOUT THE WRITTEN CONSENT OF
ENTECH DESIGN, Inc. AND WILL BE RETURNED UPON REQUEST.

<p>Entech Design, Inc. 315 S. LOCUST STREET, 2ND FLOOR DALLAS, TEXAS 75201</p>	
SCALE: N/A	DRAWN BY: TODD MCGLENDON
DATE: 8-4-03	
<p>FIXED BRACKET HANDRAIL MOUNTING OPTIONS</p>	
REVISIONS	<p>BIN/MINDER 9300 EPA 2000</p>
	DRAWING NO. 9300-14-03